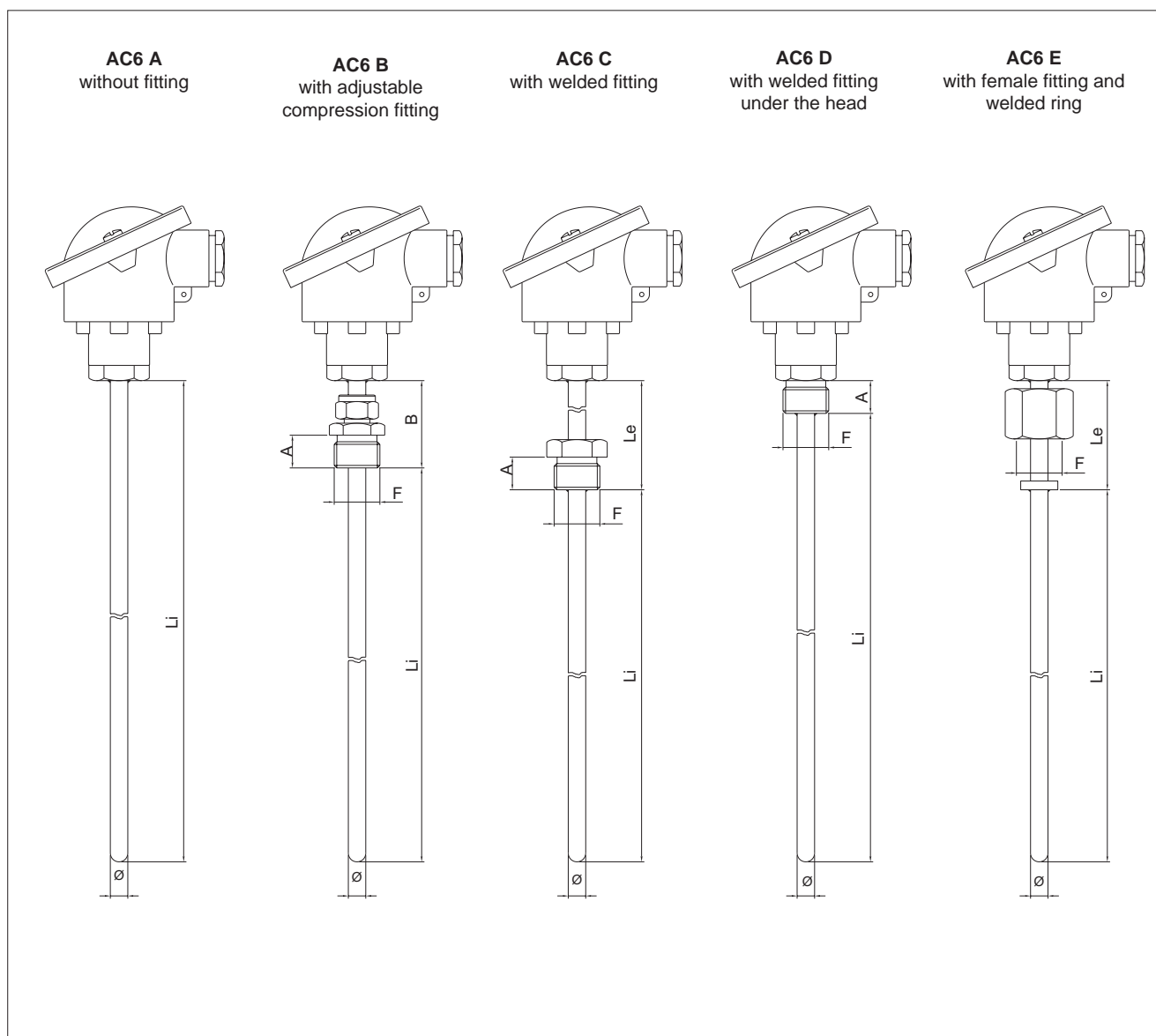




Main features

- Temperature limits:
 - 40 ... + 350° C for type T
 - 40 ... + 750° C for type J
 - 40 ... + 900° C for type E
 - 40 ... + 1000° C for type K
 (see table for sheath diameters)
- Tolerance:
 - Norme IEC 584.2 class 2:
 - for type T: $\pm 1^{\circ} \text{C}$ (- 40 ... + 133° C)
 - $\pm 0.0075 [t]$ ($t > + 133^{\circ} \text{C}$)
 - for type J, E, K: $\pm 2.5^{\circ} \text{C}$ (- 40 ... + 333° C)
 - $\pm 0.0075 [t]$ ($t > + 333^{\circ} \text{C}$)
- Ceramic insulation of the thermocouple element
- Application versatility

MODELS



ORDER CODE

A C 6 | | | | | | | | | | 0 | 0 0 0 X | | | | X | | | | | | A |

CODE

Model	
Without fitting	A
With adjustable compression fitting	B
With welded fitting	C
With welded fitting under the head	D
With female fitting and welded ring	E *

(*) Available just with: 1/2" GAS thread

Element + Hot Junction	
Single Insulated	1
Single Grounded	2

Thermocouple Type	
Fe - Cu/Ni	J
Ni/Cr - Ni/Al	K
Cu - Cu/Ni	T
Ni/Cr - Cu/Ni	E

Connection Head	
DIN B	C
DIN BUS	E
EEX d IIC 2GD	F
CEAA	H

(*) Not available for double element

Sheath Material	
AISI 304	A
AISI 310	B
AISI 316	C
INCONEL 600	F

Sheath Diameter (mm)	
5	H
6	I
8	J
10	K
12	L

Connection Thread *		
1/8" GAS	"A"= 10mm	A
1/4" GAS	"A"= 12mm	B
3/8" GAS	"A"= 15mm	C
1/2" GAS	"A"= 15mm	D
1/8" NPT		G
1/4" NPT		H
3/8" NPT		I
1/2" NPT		J

(*) To be shown for B, C, D, E models only

Connection Material *		
Nickel-Plated Brass	1	**
Inox serie 300	2	

(*) To be shown for B, C, D, E models only

(**) Available for AC6B model only

Sensors amplifiers are manufactured in compliance with:
 - EMC 2004/108/CE compatibility directive
 - RoHS 2002/95/CE directive

Electrical installation requirements and Conformity certificate are available on our web site: www.gefran.com

Certificates	
A	Conformity Report
R	Calibration Report
T	SIT Certificate

LENGTHS AND ACCESSORIES

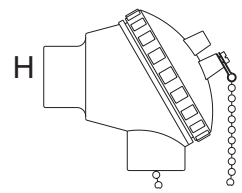
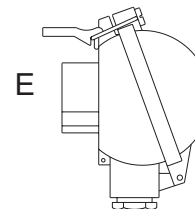
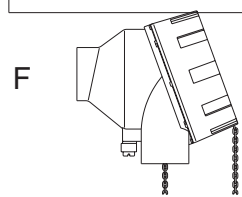
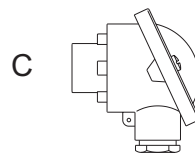
Type of Transmitter	
A	4 ÷ 20mA

Li = Immersion Length (mm)
Standard Length from 50 to 1000mm with 50mm step

Le = Extension Length (mm) *
Standard Length from 35 to 200mm with 10mm step

(*) To be shown for AC6C and AC6E models

Temperature range in which the calibration has to be made			
T. min	T. max		
	°C		°C
	4mA	20mA	



Availability of Mounts /Sheathing Diameter

MOUNT(F)	ø5	ø6	ø8	ø10	ø12
G 1/8	x	x	-	-	-
G 1/4	x	x	x	-	-
G 3/8	x	x	x	x	-
G 1/2	x	x	x	x	x
1/8 NPT	x	x	-	-	-
1/4 NPT	x	x	x	-	-
3/8 NPT	x	x	x	x	-
1/2 NPT	x	x	x	x	x

MOUNT (F)	Mod. B		Mod. C and D
	A (mm)	B (mm)	A (mm)
G 1/8	10	35	10
G 1/4	12	35	12
G 3/8	15	40	15
G 1/2	15	40	15
1/8 NPT	11	35	11
1/4 NPT	16	40	16
3/8 NPT	16	40	16
1/2 NPT	20	45	20

GEFRAN spa reserves the right to make any kind of design or functional modification at any moment without prior notice

GEFRAN

GEFRAN spa
 via Sebina, 74
 25050 PROVAGLIO D'ISEO (BS) - ITALIA
 ph. 0309888.1 - fax. 0309839063
 Internet: <http://www.gefran.com>

DTS_AC6_0709_ENG